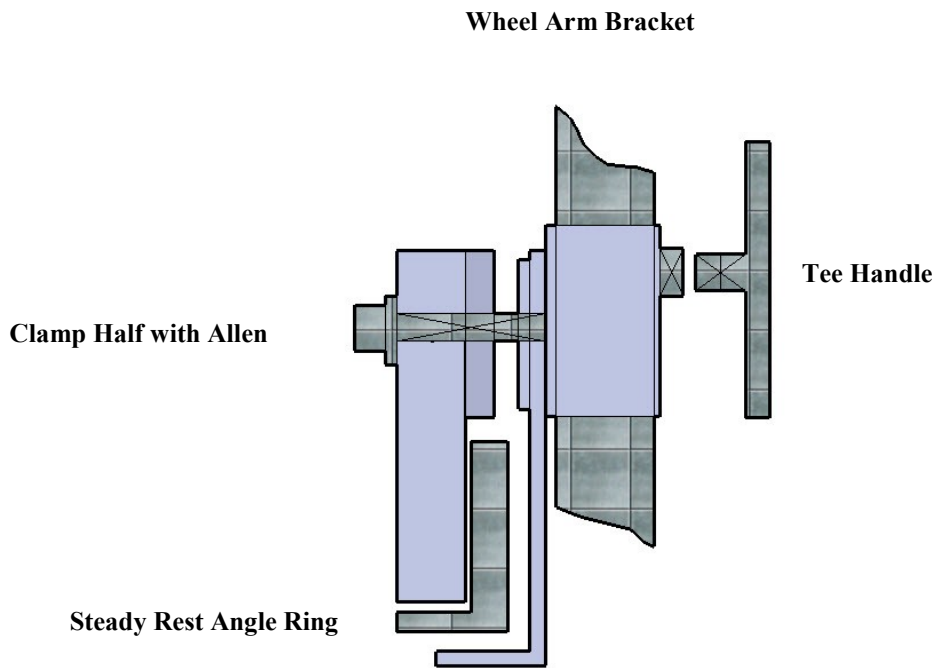


# Adjustable Arm Bracket Assembly & Mounting Diagram



**Exploded view of the bracket assembly. There is a 3/8 inch bolt and washer that attaches the 2 halves and clamps the assembly onto the ring of the Steady Rest.**



**Adjustable Bracket Assembly attached to  
the Steady Rest. Showing a wheel arm  
assembly installed for reference.**

Adjustable Bracket Assembly

